

*PNEUMATIC ACTUATED BUTTERFLY VALVES (TORK-KV.L1140, PAV-803-DA/SR)*



**Pneumatic Actuator Specification**

**Type:** Spring Return , Double Acting

**Position:** 2 or 3 position

**Degree:** 90°, 120°, 180°

**Protection Class:** IP65, IP68

**Exproof Protection Class:** II 2GDc T4

**Working Pressure:** 4...8 Bar

**Working Temperature :** -10°C...+80°C  
(-50°C...80°C)

**Torque Range:** 9Nm...5162 Nm

**Body:** Extruded Aluminum

**Stroke:** ±5°

**Accessories:** Switch Box, Namur Valve, Positioner ,  
Manual Override

**Flow Control :** On-Off or Proportional

**Namur Standarts:** ISO 5211

**Accessories Connection :** Namur standard

**Butterfly Valve Specification**

**Body:** GG-25 Epoxy Coated (optional GGG 40-50)

**Disc:** 316SS

**Working Pressure:** PN6, PN10, PN16

**Flanged Connection:** PN 6, PN 10, PN 16, ANSI CL  
150, JIS 5K (DN 50 - DN 300)

**Top Flanged:** ISO 5211

**Norm:** EN 558-1/20

**Test Standart:** EN 12266-1

**Valve Type:** Lug

**Operation :** 2/2Way

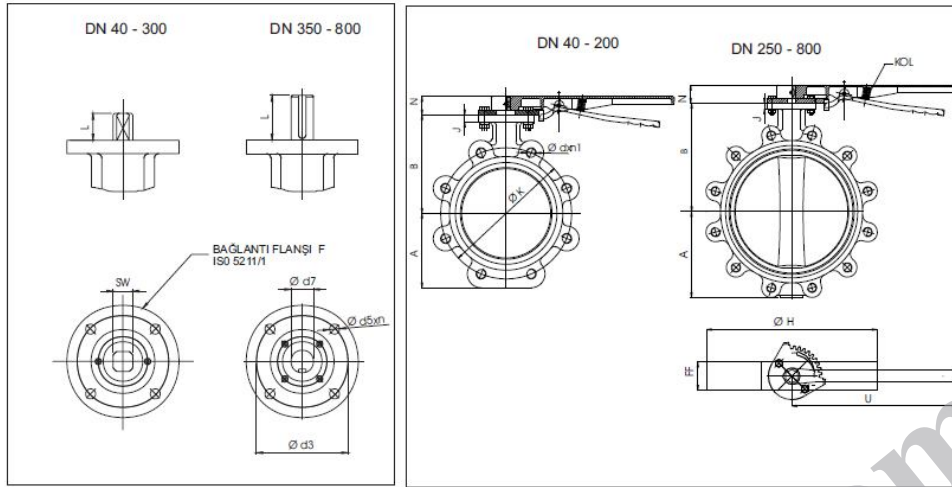
**Connection sizes:** DN32...DN1000

**Application:**

- Liquids
- General application water , air
- Water threatment systems

**Seat :** NBR, EPDM, Viton, Silikon

**Dimension**



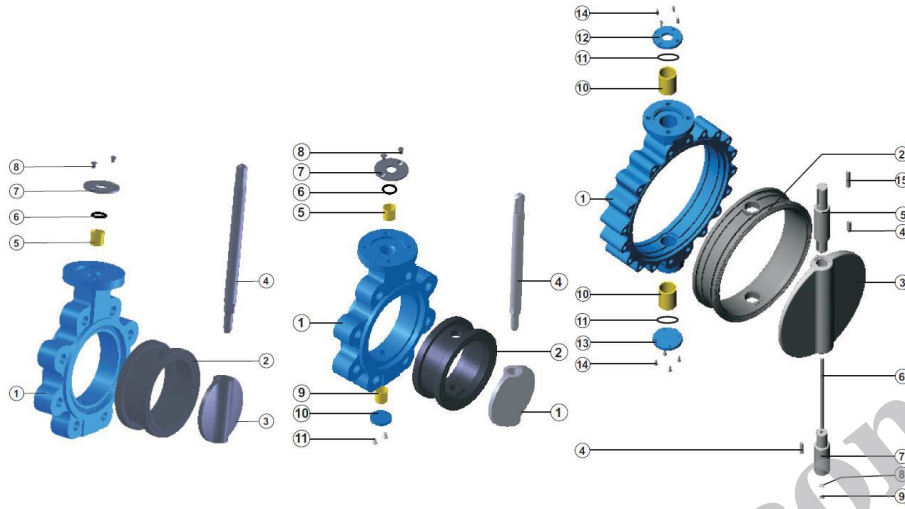
DN	A	B	FF	Ø H	J	M	N	U	W	Ø T	F	Ø d5x1	□ SW Ø d7	L	Ø d3	PN 10			PN 16		
																Ø K	Ø d	n1	Ø K	Ø d	n1
Ø 40	61	96	40	118	13	50	37	220	159	200	05	7x4	□ 9	20	50	110	M 16	4	110	M 16	4
Ø 50	67	108	43	130	13	50	37	220	159	200	05	7x4	□ 9	20	50	125	M 16	4	125	M 16	4
Ø 65	75	127	46	154	13	50	37	220	159	200	07	9x4	□ 11	20	70	145	M 16	4	145	M 16	4
Ø 80	96	132	46	188	14	50	37	260	159	200	07	9x4	□ 14	20	70	160	M 16	8	160	M 16	8
Ø 100	111	155	52	218	14	50	37	260	159	200	07	9x4	□ 14	20	70	180	M 16	8	180	M 16	8
Ø 125	123	158	56	234	14	50	37	260	159	200	07	9x4	□ 14	20	70	210	M 16	8	210	M 16	8
Ø 150	134	185	56	268	14	50	37	350	159	200	07	9x4	□ 17	22	70	240	M 20	8	240	M 20	8
Ø 200	164	213	60	317	15	50	37	350	159	200	07	9x4	□ 17	22	70	295	M 20	8	295	M 20	12
Ø 250	202	245	68	393	15	75	47	400	238	260	10	11x4	□ 22	32	102	350	M 20	12	355	M 24	12
Ø 300	239	282	77	446	15	75	47	400	238	260	10	11x4	□ 27	32	102	400	M 20	12	410	M 24	12
Ø 350	300	318	78 / 92	513	28	102	-	-	315	400	14	17.5x4	Ø 36	75	140	460	M 20	16	470	M 24	16
Ø 400	326	362	102	570	28	102	-	-	315	400	14	17.5x4	Ø 36	75	140	515	M 24	16	525	M 27	16
Ø 450	364	410	114	632	26	102	-	-	315	400	16	22x4	Ø 45	92	165	565	M 24	20	585	M 27	20
Ø 500	408	435	127	667	26	102	-	-	315	550	16	22x4	Ø 45	92	165	620	M 24	20	650	M 30	20
Ø 600	482	519	154	768	26	102	-	-	315	600	16	22x4	Ø 60	92	165	725	M 27	20	770	M 33	20
Ø 700	543	548	165	900	30	135	-	-	414	700	25	18x8	Ø 68	118	254	840	M 27	24	840	M 33	24
Ø 800	587	587	180 / 190	1016	30	135	-	-	414	800	25	18x8	Ø 80	118	254	950	M 30	24	950	M 36	24

**Butterfly Valve Code:** Tork-KV.W1140

**Double Acting Type Code :** PAV-803.DA

**Spring Return Type Code:** PAV-803SR

**Butterfly Valve Part List**



**Ø40-200**

**Ø250-300**

**Ø350-1000**

P.NO	PART NAME	MATERIAL
1	Body	GG 25, GGG 40-50, GGG 40.3, A-Bz, AISI 316, GS-C25
2	Body seat	EPDM, NBR, Viton, Hypalon, Neopren, NR, Silicone
3	Disc	AISI 316, A-Bz, GGG 40-50, GS-C25, UB 6
4	Stem	AISI 304, AISI 316, AISI 420
5	Bearing	SB (Carbon Steel + PTFE)
6	O-Ring	NBR
7	Washer	St-37, A-2
8	Bolt	8.8, A-2

P.NO	PART NAME	MATERIAL
1	Body	GG 25, GGG 40-50, GGG 40.3, A-Bz, AISI 316, GS-C25
2	Body seat	EPDM, NBR, Viton, Hypalon, Neopren, NR, Silicone
3	Disc	AISI 316, A-Bz, GGG 40-50, GS-C25, UB 6
4	Stem	AISI 304, AISI 316, AISI 420
5	Bearing	SB (Carbon Steel + PTFE)
6	O-Ring	NBR
7	Washer	St-37, A-2
8	Bolt	8.8, A-2
9	Bearing	SB (Carbon Steel + PTFE)
10	Lower Cover	St-37
11	Bolt	8.8, A-2

P.NO	PART NAME	MATERIAL
1	Body	GG 25, GGG 40-50, GGG 40.3, A-Bz, AISI 316, GS-C25
2	Body seat	EPDM, NBR, Viton, Hypalon, Neopren, NR, Silicone
3	Disc	AISI 316, A-Bz, GGG 40-50, GS-C25, UB 6
4	Key	C 45 k
5	Upper stem	AISI 304, AISI 316, AISI 420
6	Connecting stud	AISI 304, AISI 316, AISI 420
7	Lower stem	AISI 304, AISI 316, AISI 420
8	Washer	St-37, A-2
9	Nut	6.8, A-2
10	Bearing	SB (Carbon Steel + PTFE)
11	Upper cover	C 45
12	Lower cover	C 45
13	Bolt	8.8, A-2
14	Key	C 45 k